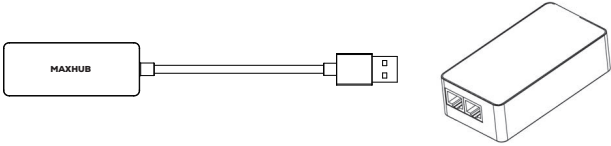
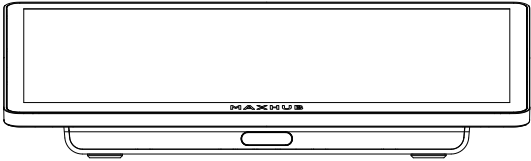


# Release Note

<b>Version</b>	<b>Modification</b>	<b>Date</b>
V1.2	增加 poe 接口描述	2025/09/19

# MAXHUB Universal Console

Model: TCP33T



## Quick Start Guide

V1.2

MAXHUB

# Table of Contents

I. Package Contents.....	04
II. Product Introduction.....	05
III. Connection .....	06
IV. Maintenance.....	07

Thank you for choosing **MAXHUB** product.

To ensure that you are able to fully utilize the capabilities of the product, we ask that you please read this quick start guide carefully and thoroughly before using the device. Should you have any questions or require assistance, please do not hesitate to contact our technical support team for guidance.

#### **Placement**

- (1) Please do NOT place the product on a slope, mount on an unstable stand or an insufficiently robust wall, a table nor a shelf.
- (2) Please do NOT expose the product to direct sunlight or any other heat source.
- (3) Please do NOT put the product near devices that generate strong magnetic fields.
- (4) Remove water splashes immediately with a clean dry cloth.
- (5) Please do NOT place any other heavy objects on the product.
- (6) Please do NOT put the unit directly facing an air conditioning vent to avoid condensation inside the glass.

#### **Power Supply**

- (1) Please check the product's operating voltage and frequency matches the local power configuration.
- (2) Please unplug the device during storming or thundering weather.
- (3) Please unplug the power should the product is left unused for long time.
- (4) Please keep the power cable from physical or mechanical damage.
- (5) Please use the original power cable from the accessory bag, don't modify or lengthen it.
- (6) Please make sure the AC is grounded.
- (7) This power cable comes with the device exclusively for this device only.
- (8) Please do not abruptly interrupt the power supply or unplug the device while it is powered on to prevent any potential damage.

#### **LCD Screen**

- (1) Do NOT use hard nor sharp objects on the screen other than **MAXHUB** stylus.
- (2) Please unplug the power before cleaning the product. Please clean the screen with a soft, dustless and dry cloth.
- (3) Please do NOT use water or liquid detergent to clean the product.
- (4) Please contact the authorised reseller for thorough cleaning.
- (5) Please do NOT display a high-brightness image on the screen for too long time.

#### **Viewing Distance**

For optimal viewing experience, it is recommended to position the commercial display at a distance that is 3-4 times the diagonal length of the screen.

#### **Temperature & Humidity**

- (1) Please do NOT put the product near a heater nor a radioactive source.
- (2) If the product is moved from a cold place to a warm one, please unplug the power cable and allow the product to gradually warm up for at least two hours to reduce the moisture.
- (3) Operating temperature of the product is 0°C-40°C, operating humidity is between 0%-90%RH.
- (4) Avoid exposing the unit to rain or placing it in high humidity areas. Additionally, it is crucial to keep the unit in a dry and cool indoor environment.

#### **Ventilation**

Please ensure that the interactive flat panel is placed in an area with adequate ventilation to allow for proper heat dissipation. It is recommended to leave a minimum of 10cm of space on the left, right, and back of the device, and 20cm of space above it to ensure proper airflow and optimal performance.

#### **Earphone**

When using the earphones, it is important to be aware that prolonged listening at high volumes may cause temporary or permanent hearing loss. To prevent this, we strongly recommend turning down the volume before inserting the earphones into your ears.

#### **Energy Saving**

Please note that simply pressing the power button will not fully shut down the interactive flat panel. Instead, it will enter standby mode, with only the screen turning off. To properly shut down the device, please always select "Shut down" from the Windows Start menu.

#### **Notes for Cleaning**

Please do not block or cover the heat vents on the back panel and do not spray liquids on the device.

Power Switch Status Signs "I" means power on, "O" means power off.

#### **Maintenance**

Please contact authorised reseller for maintenance or repairing.

#### **Warranty Exclusions**

MAXHUB does not warranty Products that match any one or few of the following descriptions:

- (1) Product damage caused by violating the user manual.
- (2) Hardware damage caused by improper setup.
- (3) Product damage caused by unauthorised modification or maintenance.
- (4) Product damage caused by using in an unsuitable environment.
- (5) Product damage caused by abnormal external force.
- (6) Product damage caused by natural disasters or other force majeure.
- (7) Damaged Warranty Sticker.
- (8) Unable to provide effective purchase certificate.

#### **Regulatory Notice**

Regulatory and certification information can be found in the provided **Regulatory Notice** documents or at the official website: <https://www.maxhub.com>.

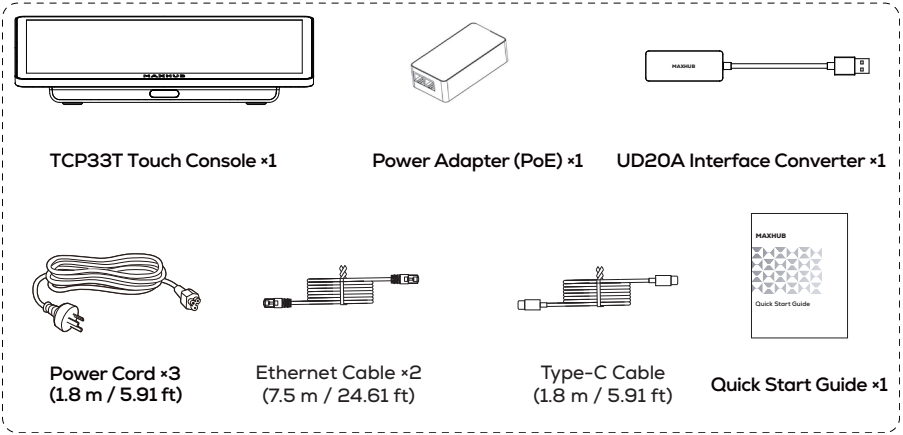
#### **Technical Support**

Please visit the official website: [www.maxhub.com](http://www.maxhub.com) for more information about the product documents, software, firmware upgrade, FAQs, etc. Should you have any questions or concerns, please do not hesitate to contact our technical support team for help.

Hereby, Guangzhou Shirui Electronics Co., Ltd. declares that this product is compliant with the essential requirements. The complete Declaration of Conformity may be requested through the following postal address: MAXHUB EUROPE B.V. BEURSPLEIN 37, 3011AA ROTTERDAM, NETHERLANDS.

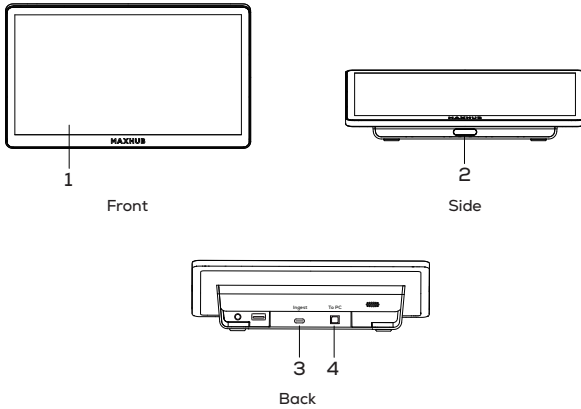
# I. Package Contents

Please check that the following items are included in the package:



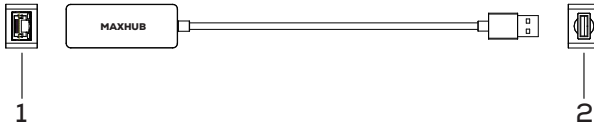
# II. Product Introduction

## 1. TCP33 Touch Console:



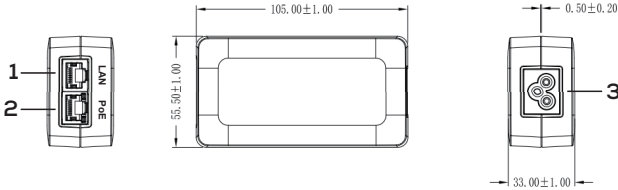
No.	Item	Description
1	Touch Screen	To display the content.
2	PIR	Screen on/off.
3	Ingest Port (Type-C)	To connect to your laptop.
4	RJ45 Port (To PC)	To connect to the display.

## 2. UD20 Interface Converter:



No.	Item	Description
1	RJ45 Port	To connect to the PoE adapter.
2	USB-A Port	To connect to the display.

## 3. PoE Adapter:

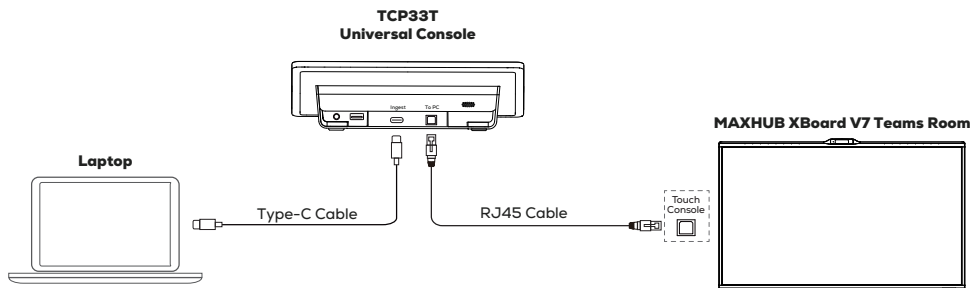


No.	Item	Description
1	LAN	To connect to the touch console.
2	PoE	For power supply.
3	DC IN	To connect to the power cord.

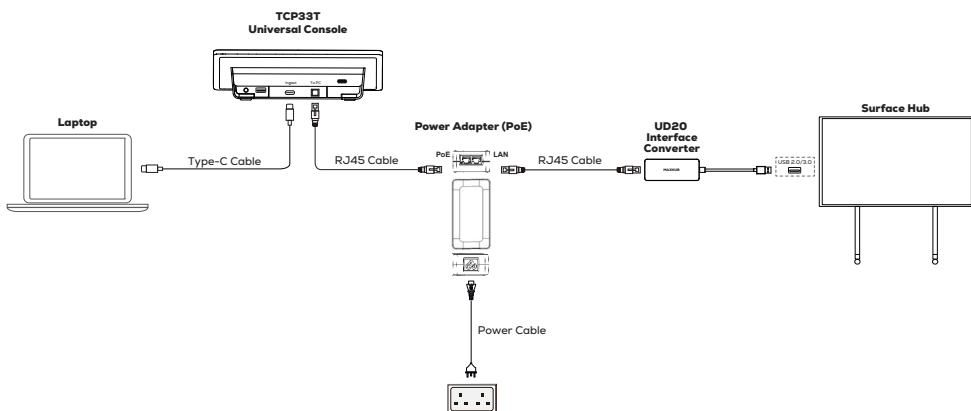
### III. Connection

The following diagram shows the basic connection of universal console TCP33T to your laptop and display.

**Option A:** Connect to MAXHUB XBoard V7 Teams Room directly via a RJ45 cable.



**Option B:** Connect to Surface Hub Teams Room via the PoE (Power Adapter) and UD20 Interface Converter.



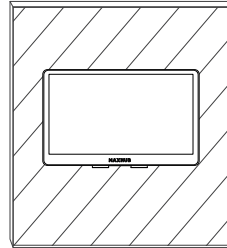
## IV. Installation

For the installation of TCP33T, you have two options:

**Option 1: Place on a Flat Surface.**

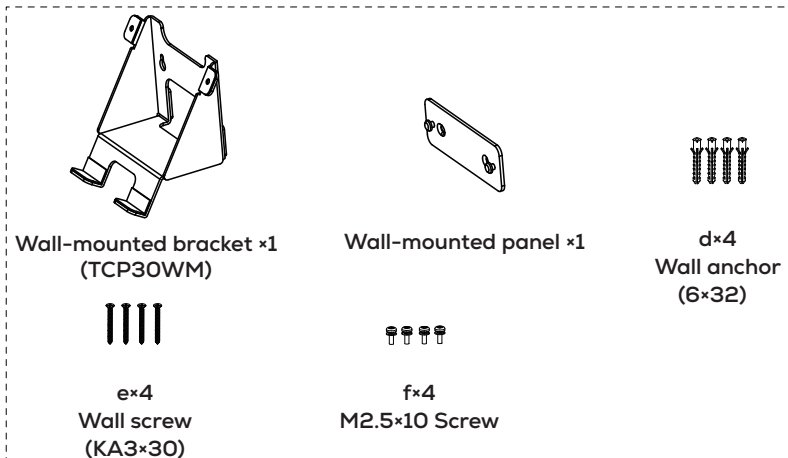


**Option 2: Mount on a Wall.**



**Please follow the steps below for the wall mounting of the TCP33T:**

Before wall mounting, please prepare the wall-mounting accessories and screws (**purchase separately**), as shown below:

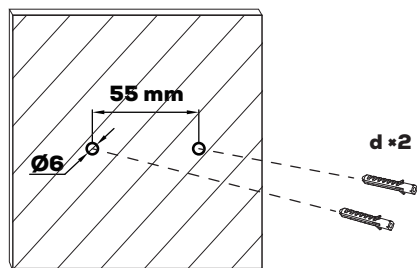


### Attention

\*Wall mounting accessories and screws must be purchased separately.

**1**

Drill two punching holes based on the wall-mounted panel and insert 2 pieces of wall anchor **d**.



**Recommended drilling hole size:**

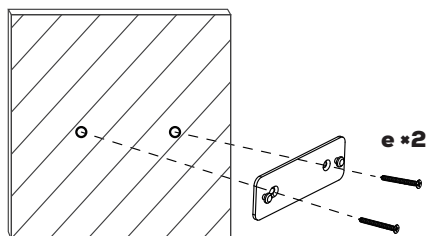
Hole diameter: 6 mm

Hole depth: 32 mm

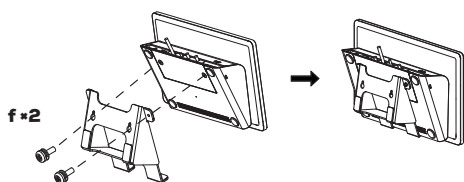
Hole center distance: 55 mm

**2**

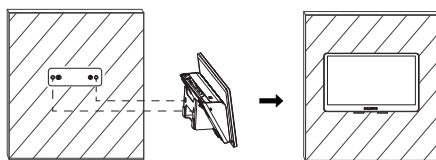
Secure the wall-mounted panel to the hole with two pieces of wall screw **e**.

**3**

Loosen 2 screws on the back of the touch console, and secure the bracket TCP30WM to the console by tightening 2 pieces of wing thumb screw **f**.

**4**

Attach the touch console to the 2 keyhole slots on the wall-mounted panel securely.



**NOTE**

This method of wall mounting installation is applicable to walls such as concrete or brick.

